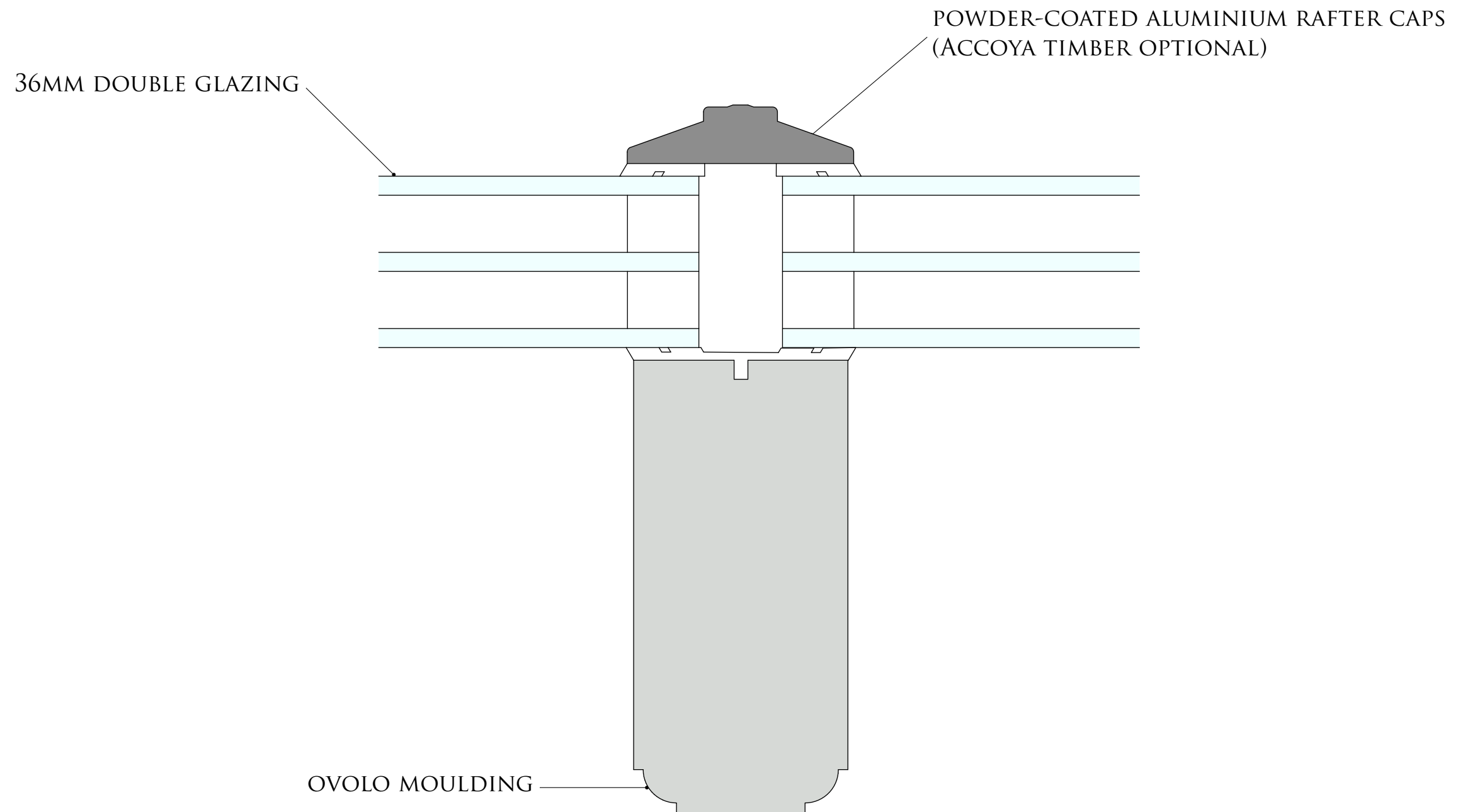


45 X 95 RAFTER SECTION - TRIPLE-GLAZED

GLAZING U-VALUE 0.7 W/M2K



1:1 @ A3