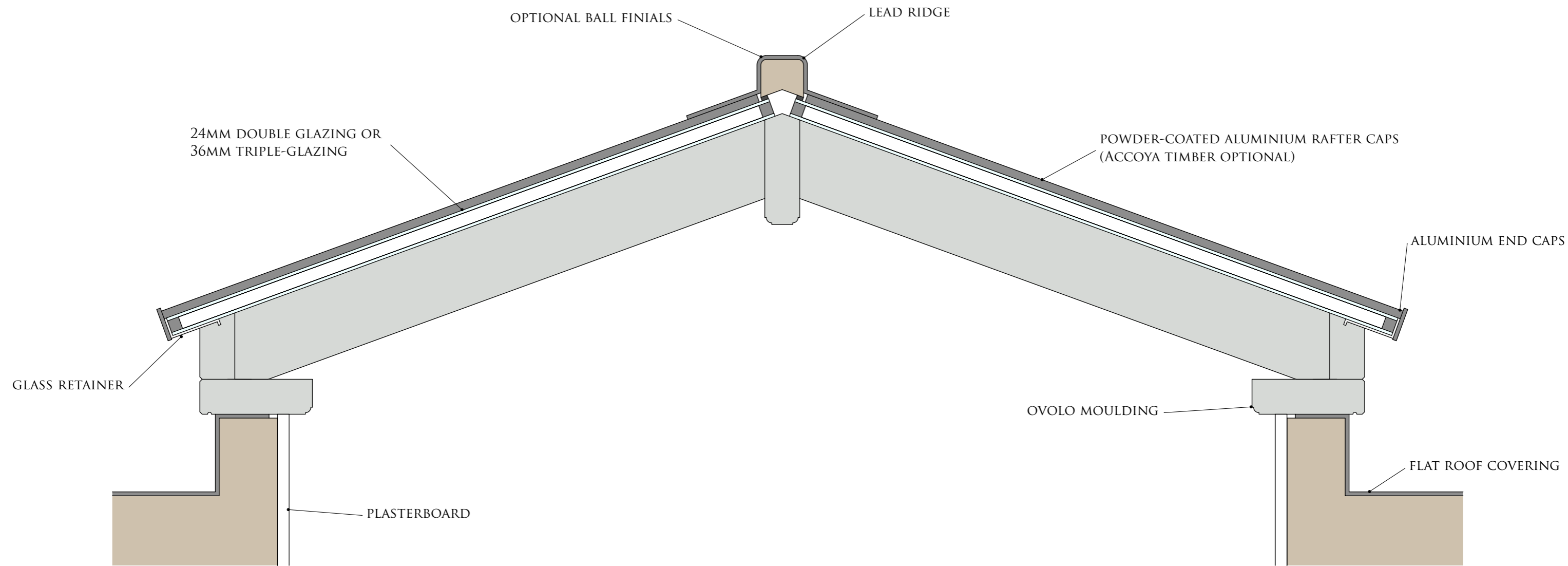


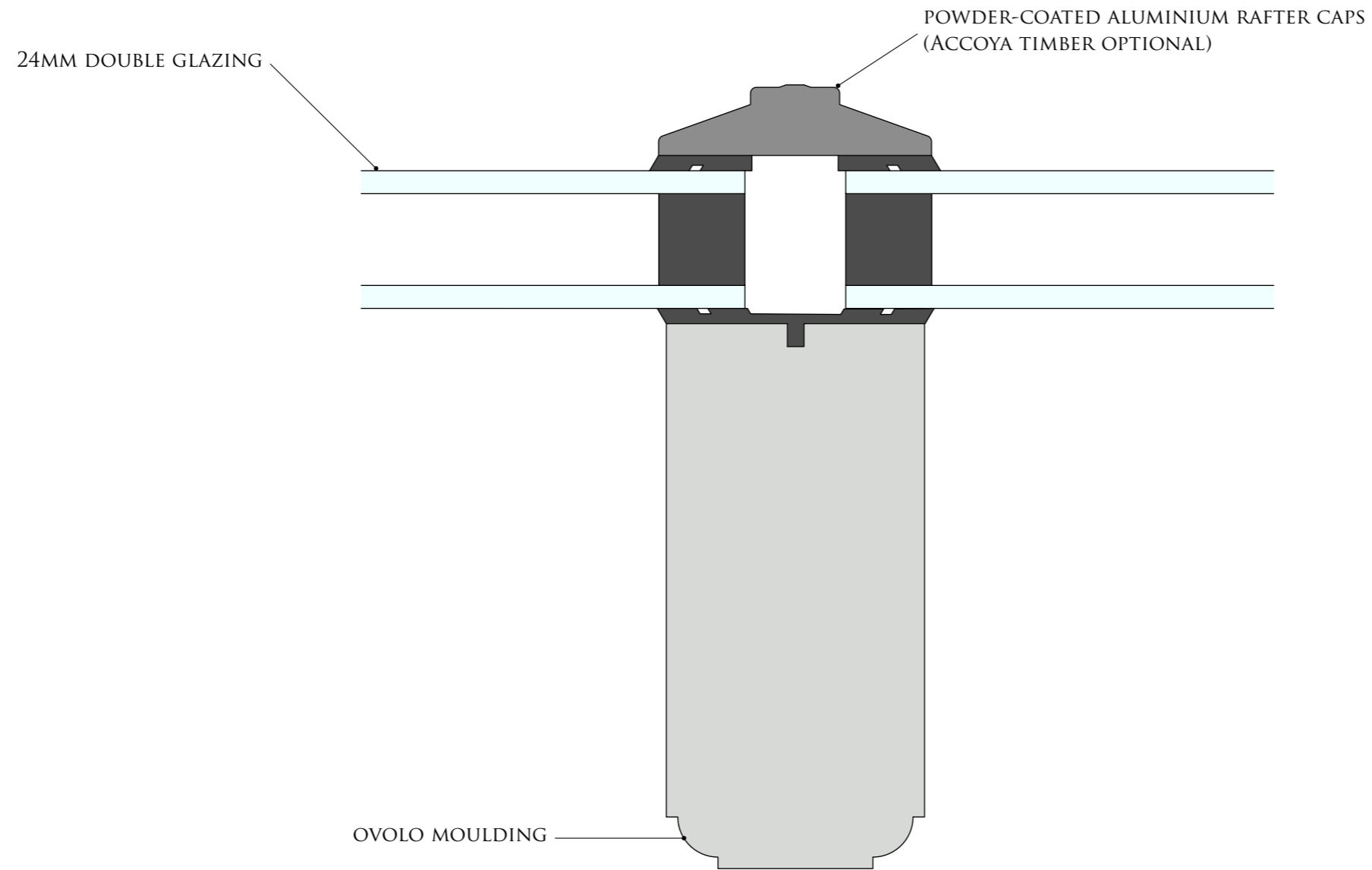
LANTERN ON UPSTAND - NON-STEPPED GLASS



1:5 @ A3

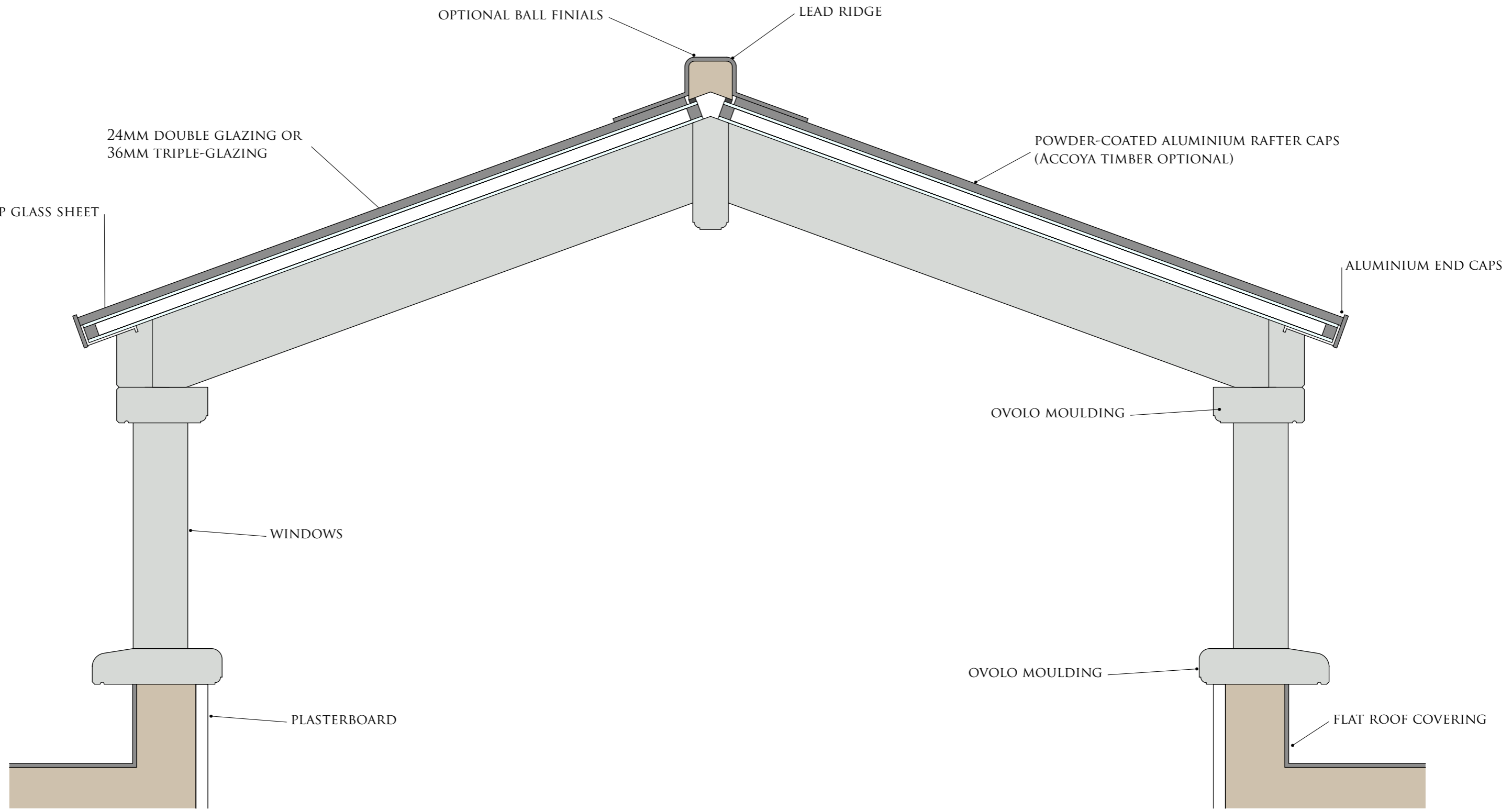
45 X 95 RAFTER SECTION - DOUBLE-GLAZED

GLAZING U-VALUE 1.0 W/M2K



1:1 @ A3

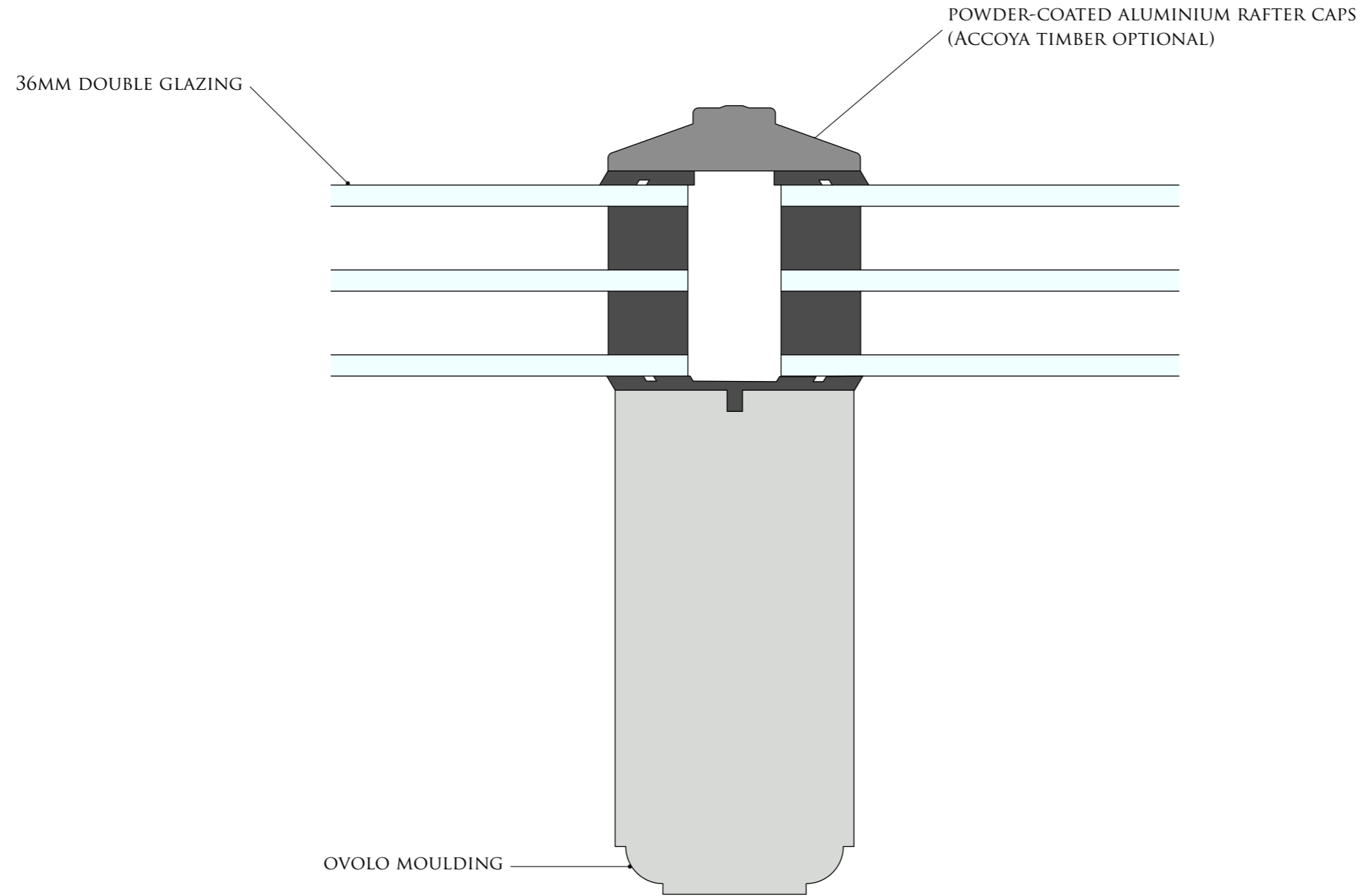
LANTERN ON WINDOWS



1:5 @ A3

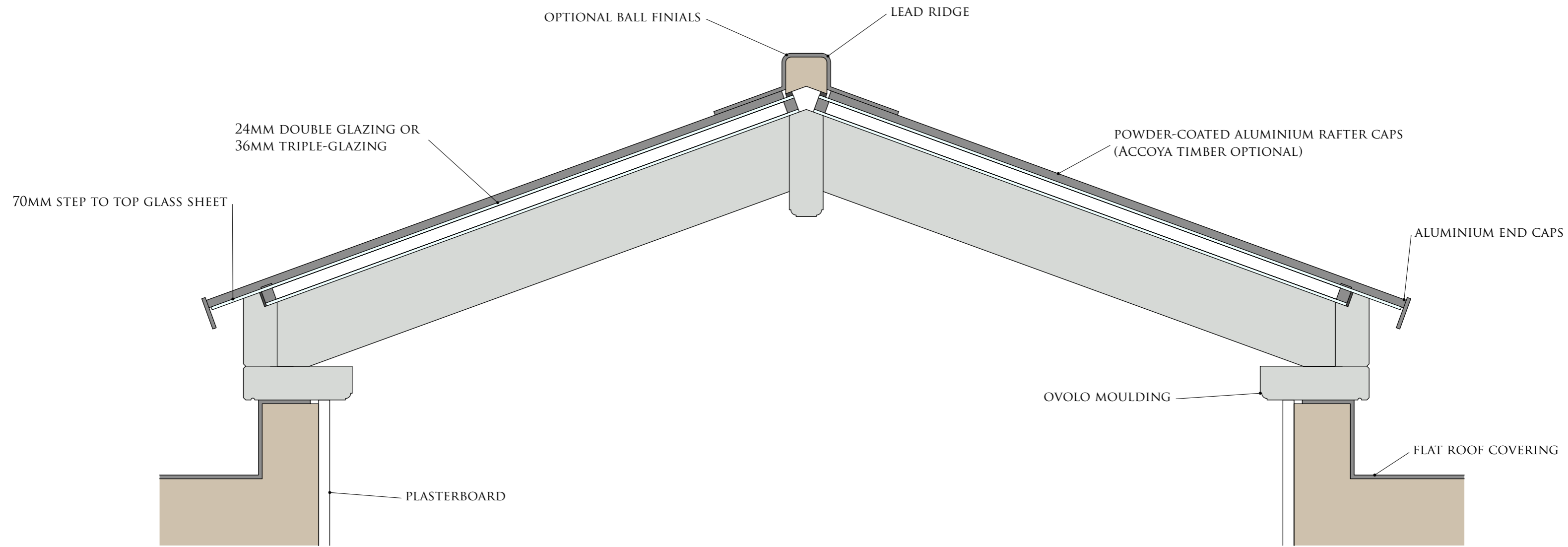
45 X 95 RAFTER SECTION - TRIPLE-GLAZED

GLAZING U-VALUE 0.7 W/M2K



1:1 @ A3

LANTERN ON UPSTAND - STEPPED GLASS



1:5 @ A3