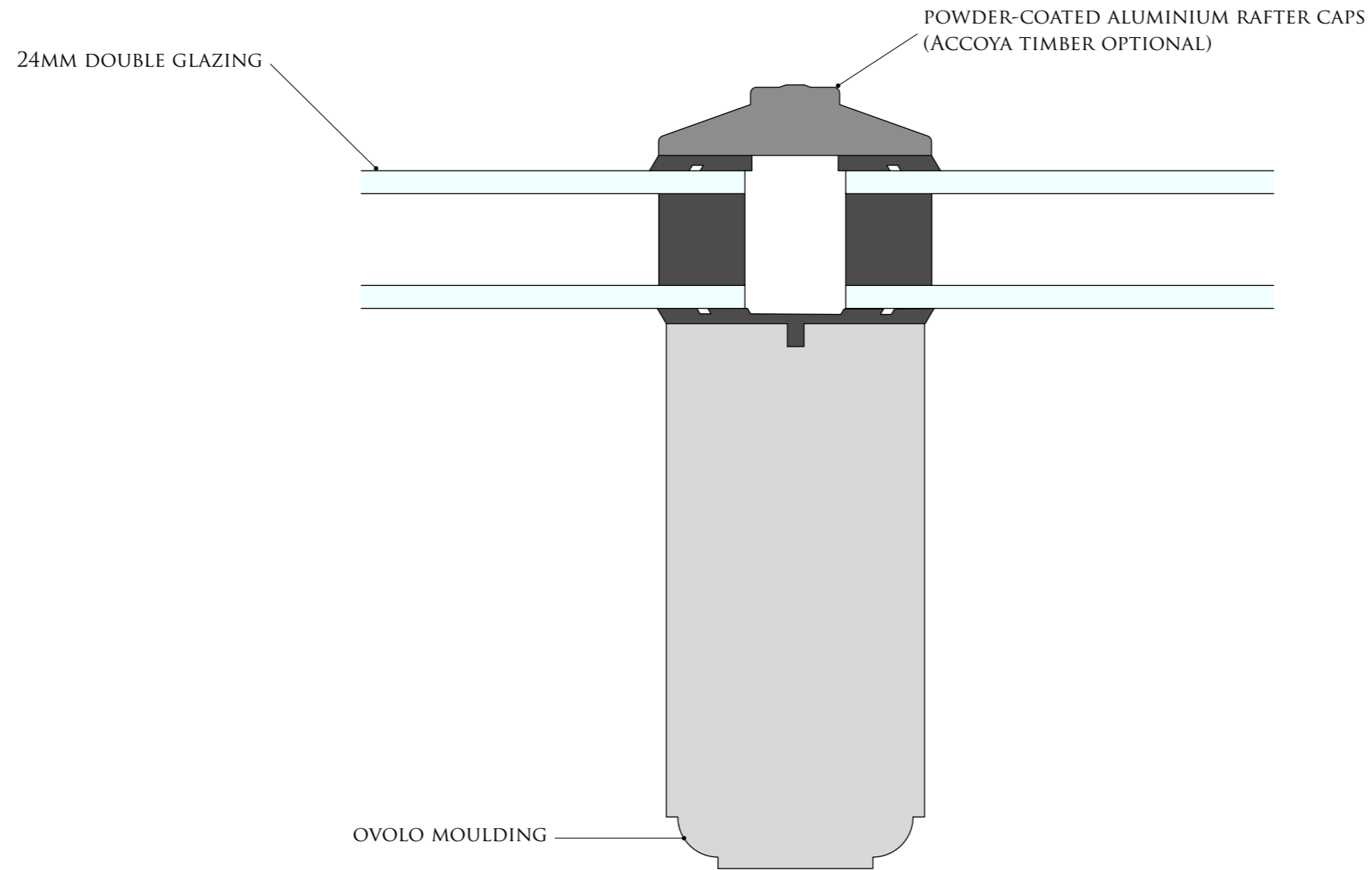


45 X 95 RAFTER SECTION - DOUBLE-GLAZED

GLAZING U-VALUE 1.0 W/M2K



1:1 @ A3